

PARTS LIST

GK761PL

CONTENTS

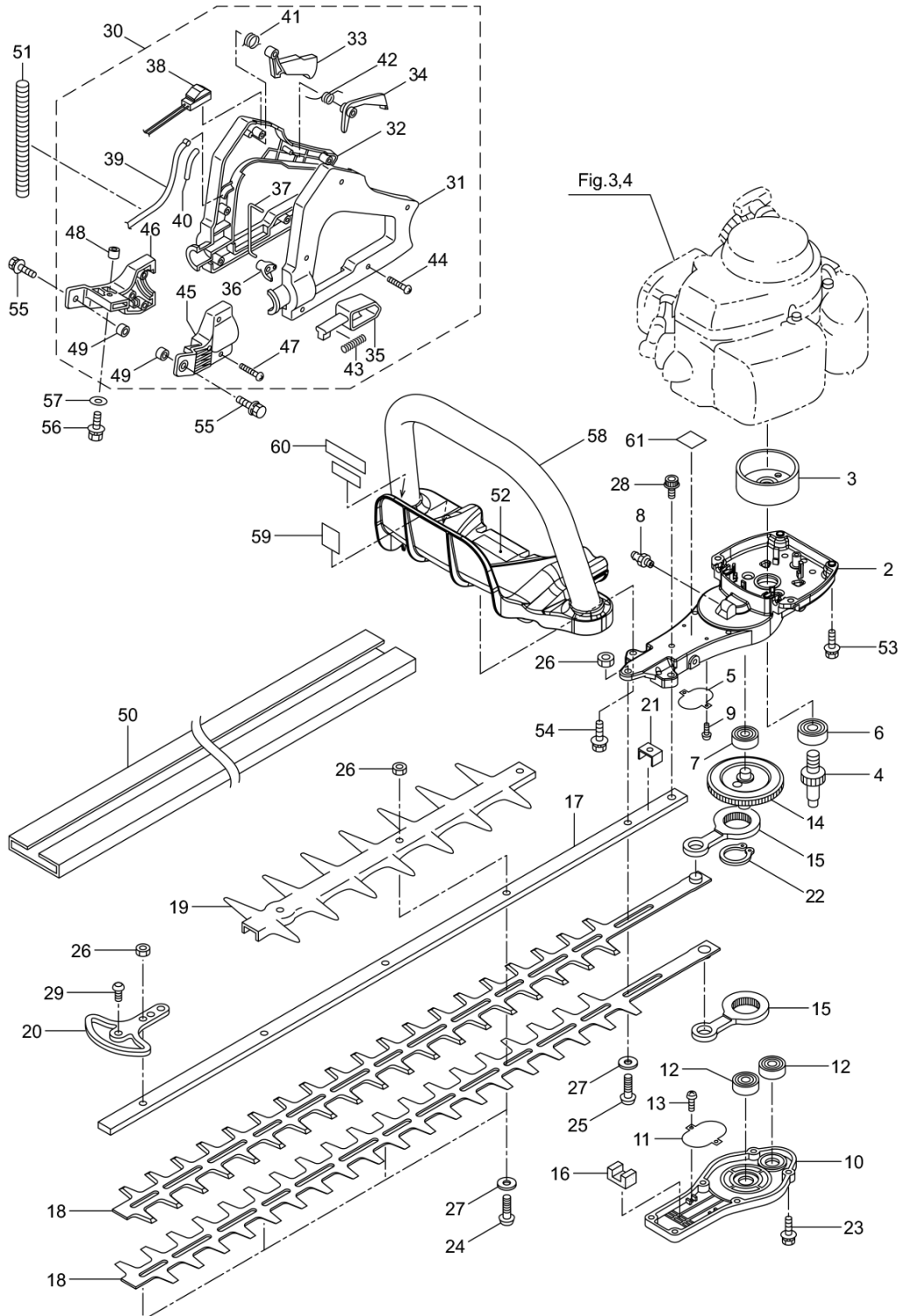
1. MAIN BODY	1
2. ENGINE	5
3. CARBURETOR, FUEL TANK	9
4. ACCESSORIES	11

2021. 01.



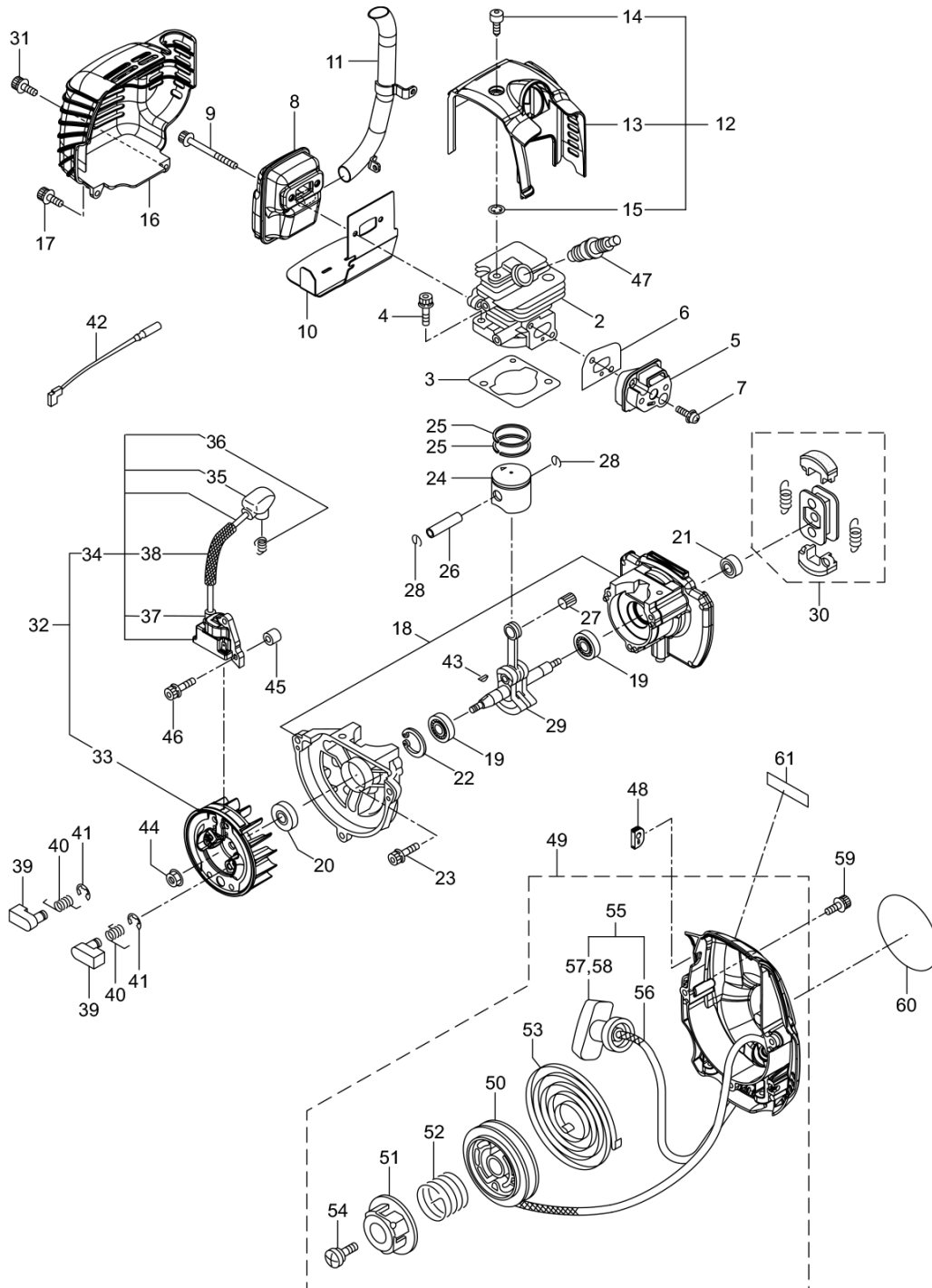
P/N 525127

GK761PL
1. MAIN BODY



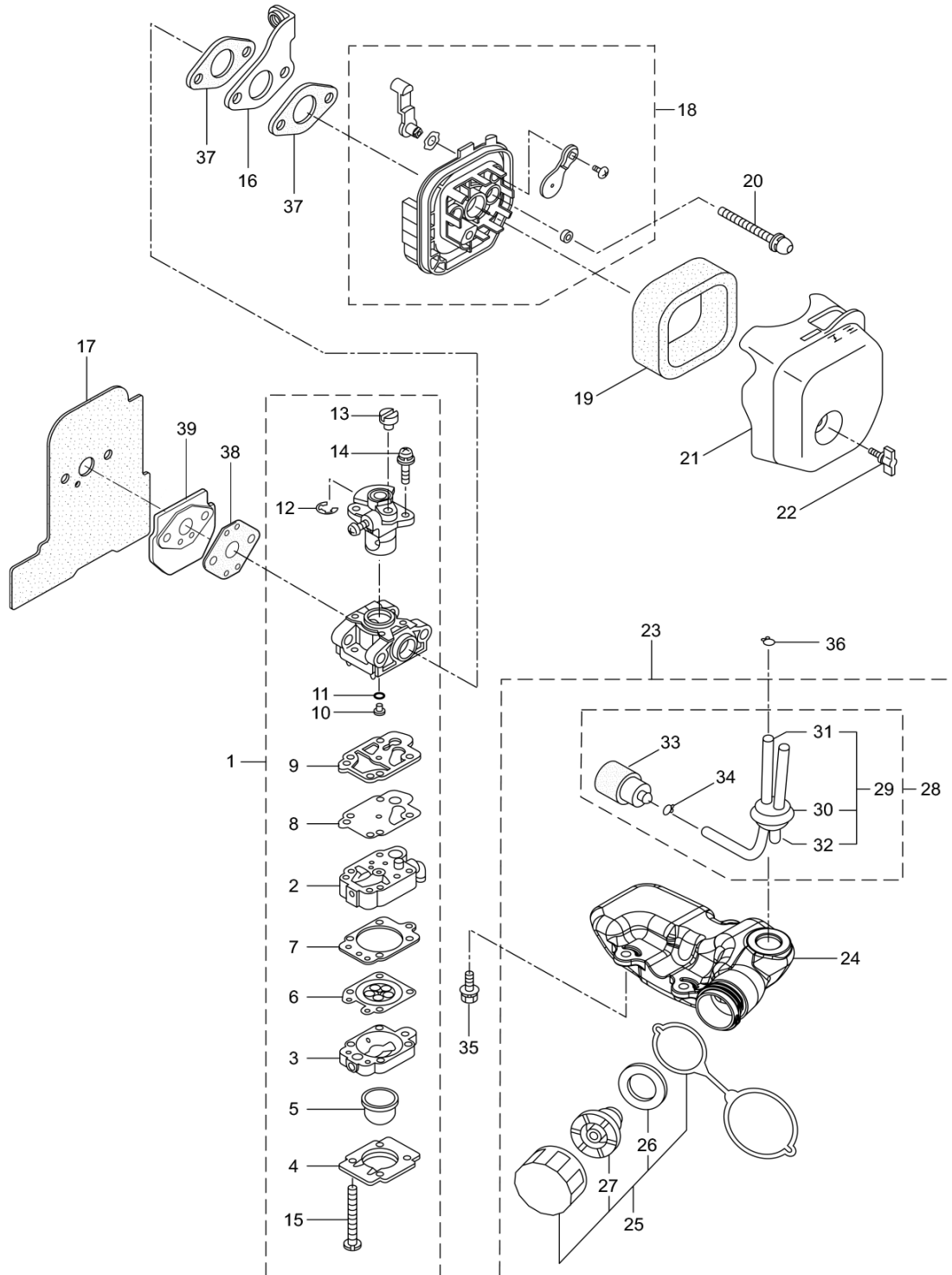
Status	Position	Parts Number	Parts Name	Unit Quantity	Set Unit Quantity	Specification	Remarks	Maker code
	1	362483	GK761PL(GARMEC)Y21	1			Y21	
	2	278704	UPPER CASE	1		TE5-A036000		
	3	270021	CLUTCH DRUM	1		136-145		
	4	271473	PINION GEAR	1		TE1-A050000		
	5	271474	PLATE	1		TE1-A045000		
	6	580767	BEARING 6001 2RS	1		K354-060010	#6001 2RS	K354-060010
	7	270423	BEARING 608ZZ	1		K353-006080		
	8	991937	GREASE NIPPLE	1		A-MT6X1ｶﾞﾀ	M6	
	9	991924	SCREW M3X5	2	10	K010-030050 M3	M3x5	900-040
	10	271475	LOWER CASE	1		TE5-A006000		
	11	271474	PLATE	1		TE1-A045000		
	12	270423	BEARING 608ZZ	2		K353-006080		
	13	991924	SCREW M3X5	2	10	K010-030050 M3	M3x5	900-040
	14	271465	CRANK COMPLETE	1		TE1-A043000		
	15	271466	ROD	2		TE1-A044000		
	16	270567	FELT	1		A286-112004		
	17	271470	GUIDE PLATE	1		TE1-A056000		
	18	278706	BLADE	2		TE4-A330700		
	19	274877	BLADE GUARD W	1		TE1-A131000		
	20	278720	CHIP GUARD	1		TE1-A177000		
	21	270757	PLATE	1		A325-103004		
	22	580777	SNAP RING	1	5	K283-026000	#26	K283-026000
	23	271910	SCREW	6		K081-05016T		
	24	991914	SCREW	4		A040-002009 L19		008-247
	25	271229	SCREW	1		G040-005000		
	26	991941	U-NUT	5	5	M6 6ｶﾞ 1ｼﾞ	M6	
	27	991913	WASHER	5	10	008-250		008-250
	28	272282	SCREW	1		K073-050126		
	29	278721	SCREW	1		K082-05006T		
	30	271396	REAR HANDLE ASSY	1			Incl.31-49	
	31	271278	REAR HANDLE L	1		TE2-1015010		
	32	271279	REAR HANDLE R	1		TE2-1015020		
	33	271280	THROTTLE LEVER	1		TE2-1010030		
	34	271281	STOP LEVER	1		TE2-1010040		
	35	271282	LOCK LEVER	1		TE2-1007050		
	36	271283	LEVER STOPPER	1		TE2-1013020		
	37	271284	ROD	1		TE2-1007060		
	38	271285	SWITCH	1		G014-222004		
	39	271398	CABLE COMP.	1				
	40	271287	SPACER	1		TE2-1013010		
	41	271288	SPRING	1		G003-000030		
	42	271289	SPRING	1		G003-000040		
	43	270400	SPRING	1		A002-050004		
	44	271276	SCREW	5		K110-401602		
	45	271274	HANDLE STAY L	1				
	46	271275	HANDLE STAY R	1				
	47	271276	SCREW	3		K110-401602		
	48	270424	SPACER	1		K232-061000		
	49	271277	SPACER	2				
	50	270071	BLADE COVER(DL)	1		A028-002029		
	51	271221	TUBE	1		A013-070110		
	52	270566	LABEL	1		A052-246004		
	53	271908	SCREW	5		K078-05016T		
	54	277400	SCREW	2		K081-06040T		
	55	271909	SCREW	2		K078-050204		
	56	271911	SCREW	1		K081-060204		
	57	270843	WASHER	1		25X6XT1.6	25x6xt1.6	
	58	247384	FRONT HANDLE ASSY	1		278325 ネットイサ		
	59	287394	LABEL	1		109DB	109dB	
	60	266959	LABEL	1		CEｺｰｼﾞｮﾝ	Caution	
	61	266960	LABEL	1		ﾎｯﾄｺｰｼﾞｮﾝ		

GK761PL
2. ENGINE



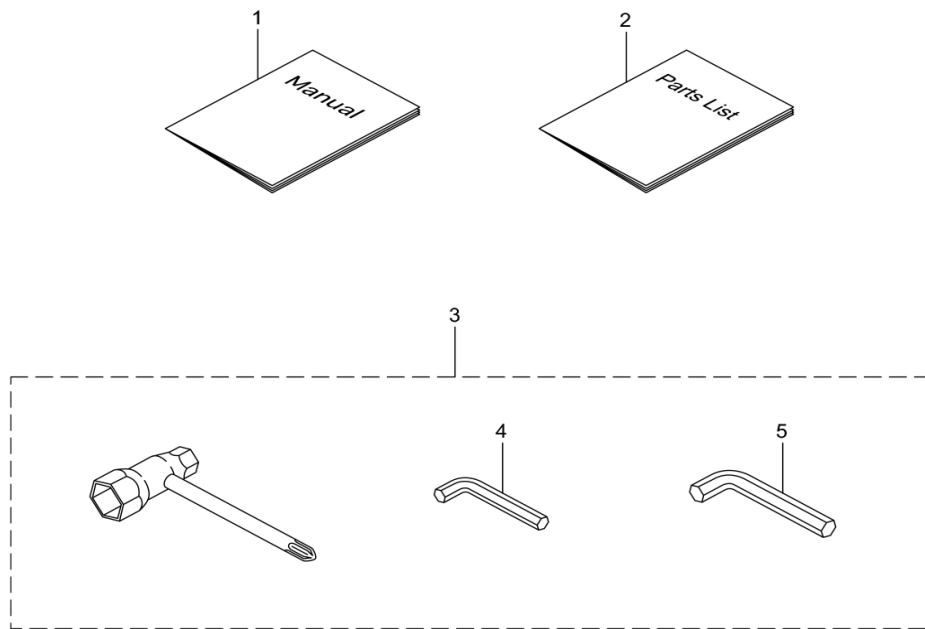
Status	Position	Parts Number	Parts Name	Unit Quantity	Set Unit Quantity	Specification	Remarks	Maker code
	1	875565		1			HE232/24	
	2	278641	CYLINDER	1				
	3	289643	GASKET	1		T0.5		
	4	267290	CAP SCREW	2	5	M5X20WSW+オ	M5x20	
	5	272744	INSULATOR	1			New gasket required	
	6	267049	GASKET	1	5			
	7	265924	CAP SCREW	2	5	M5X25WSW+オ	M5x25	
	8	278263	MUFFLER	1				
	9	266402	CAP SCREW	2	5	M5X557ランジ	M5x55	
	10	246971	GASKET	1				
	11	247138	TAIL PIPE	1				
	12	278288	CYLINDER COVER	1		アカ	Incl.13-15	
	13	277793	CYLINDER COVER	1		アカ		
	14	286399	BOLT	1		M5 ミド リメツク	M5	
	15	286270	WASHER	1		M5	M5	
	16	278272	MUFFLER COVER	1				
	17	261607	CAP SCREW	1	5	M5X16WSW	M5x16	
	18	278208	CRANK CASE	1				
	19	261181	BEARING 6000C3	2		6000C3	#6000C3	
	20	277906	OIL SEAL	1		キンゾウ カク イヤンP		
	21	277909	OIL SEAL	1		キンゾウ カク イヤンR		
	22	054676	RING SNAP	1	5	アヤヨウ26	#26	
	23	261246	CAP SCREW	3	5	M5X25	M5x25	
	24	272204	PISTON	1				
	25	264891	PISTON RING	2			(2)required	
	26	261036	PISTON PIN	1		5.7X8X23.5L		
	27	288520	NEEDLE BEARING	1		8E-KV8X11X11.8		
	28	261576	CLIP PISTON	2				
	29	283155	CRANKSHAFT COMPLETE	1				
	30	246054	CLUTCH ASSY	1		ベツジ 54ヨウブ レートツキ		
	31	267191	CAP SCREW	1	5	M5X16WSW+オ	M5x16	
	32	278161	MAGNETO	1			Incl.33-38	
	33	278176	ROTOR	1		ネオジ ム		
	34	278293	IGNITION COIL	1		CDUデジナル	Incl.35-38	
	35	282292	PLUG CAP	1				
	36	261075	CONNECTOR	1		10805-40061		
	37	261072	CAP	1		イタダ 10855-40101		
	38	280080	TUBE	1		10850-40023 55L		
	39	280936	RACHET	2				
	40	280553	SPRING	2				
	41	020299	E-RING #4	2	10	ヨビ 4	#4	
	42	267492	LEAD	1		130BのタHCBH	130L	
	43	261076	WOODRUFF KEY 3X10	1	5	Aシユ 3X10	3x10	
	44	261077	NUT	1	5	M6	M6	
	45	280381	SPACER	2	5			
	46	279850	SCREW	2		M4X25WSW	M4x25	
	47	288264	SPARK PLUG	1		NGK BPMR8Y	BPMR8Y	
	48	278294	GROMMET	1				
	49	278177	STARTER ASSY	1		タ ンバ ーアカ	Incl.50-58	
	50	286363	REEL	1		A54108140000		
	51	286364	CAM PLATE	1		A54308140400		
	52	283290	DAMPER SPRING	1				
	53	280931	SPIRAL SPRING	1				
	54	267213	SCREW	1		A607 012 000 80		
	55	283291	ROPE ASSY	1			Incl.56-58	
	56	283292	STARTER ROPE	1				
	57	261725	STARTER GRIP	1				
	58	283293	ROPE STOPPER	1				
	59	267290	CAP SCREW	3	5	M5X20WSW+オ	M5x20	
	60	273272	LABEL	1		48 GKZ		
	61	248244		1		GK761PL	GK761PL	

GK761PL
 3. CARBURETOR, FUEL TANK



Status	Position	Parts Number	Parts Name	Unit Quantity	Set Unit Quantity	Specification	Remarks	Maker code
	1	278297	CARBURETOR ASSY	1		WYL-364A	Incl.2-15	
	2	268499	CARBURETOR BODY	1		WB5-2771		
	3	262991	PURGE BODY	1		WB5-2557		
	4	262992	COVER	1		WB21-3147		
	5	261874	PRIMER	1		WB188-12		
	6	283905	DIAPHRAGM METERRING	1		WB95-614		
	7	262993	GASKET	1		WB92-359		
	8	262994	DIAPHRAGM	1		WB95-99		
	9	282576	GASKET	1		WB92-415		
	10	289396	JET	1		WB112-3070-330		
	11	261871	O-RING	1		WB16-104		
	12	261876	RING	1		WB16-71		
	13	261658	SWIVEL	1		WB52-34		
	14	264682	SCREW	2		WB96-364		
	15	262996	SCREW	4	5	WB96-425		
	16	283773	STAY	1				
	17	278750	GASKET	1				
	18	248152	CASE ASSY	1		1.0 WYLヨウ		
	19	269030	ELEMENT	1		HR-50ノットウ		
	20	280102	SCREW	2		M5X65WSWホ	M5x65	
	21	283772	CLEANER COVER	1				
	22	281438	KNOB	1				
	23	278209	TANK ASSY	1			Incl.24-34	
	24	277791	FUEL TANK	1				
	25	283438	TANK CAP ASSY	1			Incl.26,27	
	26	283727	PACKING	1	5	タンクキャップ ヨウ		
	27	283764	BREATHER ASSY	1		HEヨウ		
	28	265752	FUEL PIPE	1			Incl.29-34	
	29	264031	FUEL PIPE ASSY	1			Incl.30-32	
	30	261115	GROMMET	1				
	31	261690	FUEL PIPE	1		3X5X160L(カ)	160L	
	32	263038	RETURN PIPE	1		3X6X85(キ)	3x6x85L	
	33	277887	FILTER ASSY	1		125-935		
	34	261117	CLIP	1				
	35	269690	CAP SCREW	3	5	M5X18WSW-16	M5x18	
	36	261117	CLIP	1				
	37	283771	GASKET	2				
	38	261864	GASKET	1	5			
	39	269981	DIVIDER	1				

GK761PL
4. ACCESSORIES



Status	Position	Parts Number	Parts Name	Unit Quantity	Set Unit Quantity	Specification	Remarks	Maker code
	1	248202		1		GK761PL IT	GK761PL	
	2	525127		1		GK761PL	GK761PL	
	3	264606	TOOL SET	1			Incl.4,5	
	4	219431	SPANNER	1		ニメソバ ⁺ 3	3mm	
	5	219432	WRENCH	1		ニメソバ ⁺ 4	4mm	